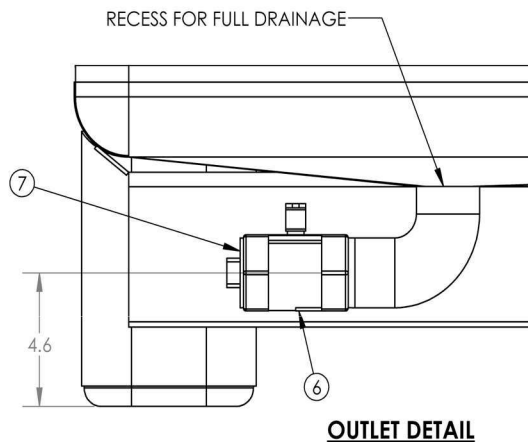
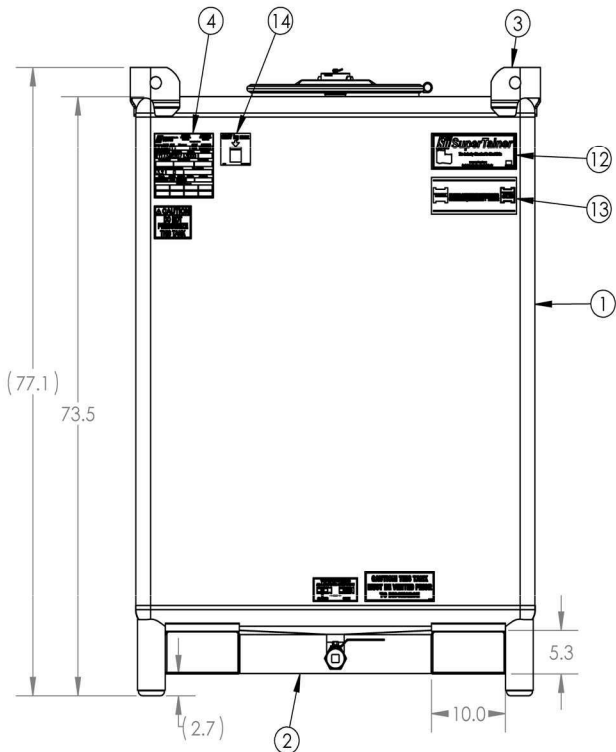
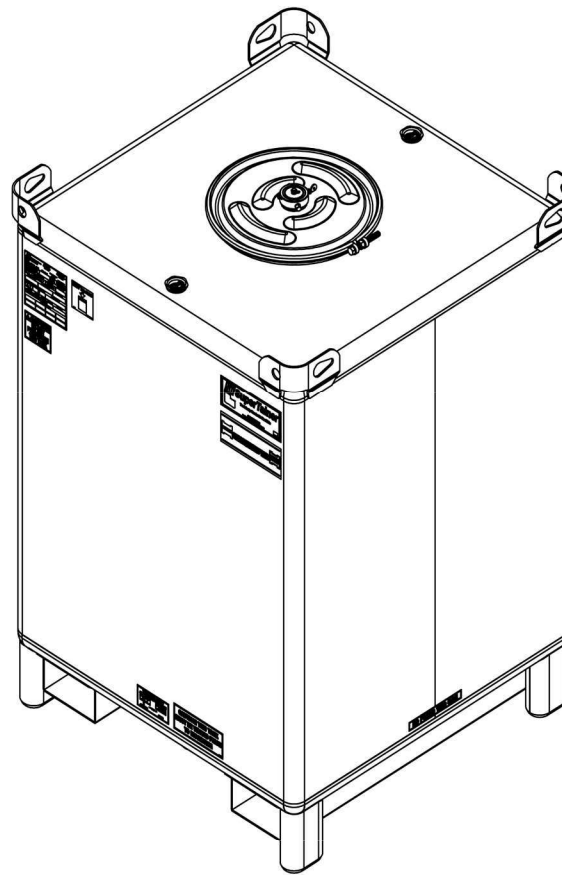
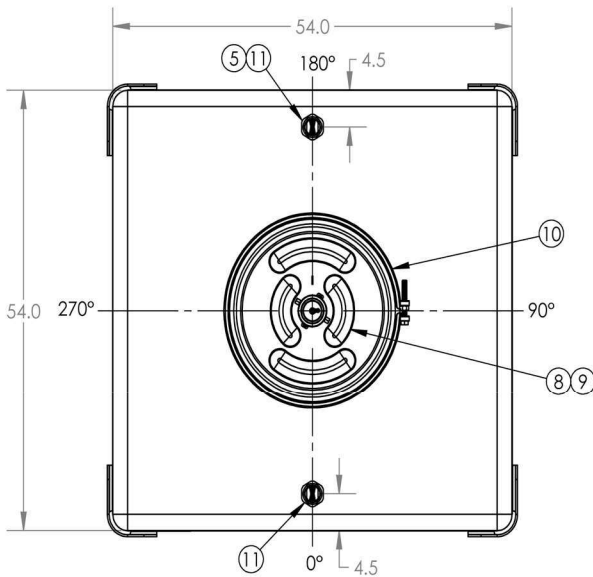


Dimensions:
1370L x 1370W x 1865H



NOTES:

- TANK IS DESIGNED AND CONSTRUCTED IN ACCORDANCE WITH U.N. SPECIFICATIONS.
- TANK AND TOP HEAD CONSTRUCTION OF 10 GA MATERIAL. BOTTOM HEAD CONSTRUCTION OF 7 GA MATERIAL.
- TANK IS AIR TESTED AT 3 PSI
- ALL WELDS CLEANED OF SLAG AND SPATTER
- TANK INTERIOR AND EXTERIOR ARE HAND-CLEANED

ITEM NO.	QTY.	PART NUMBER	DESCRIPTION
14	1	99700365	DECAL STACK 793 SPRTRN
13	1	99700591	DECAL TANK MANAGEMENT SERVICES 4.5X11.5
12	1	34701989	DECAL PKG SII STD SPRTRN STD-STEM
11	2	34702006	PLUG 2IN HEX HEAD WH EPDM GASKET 316SS
10	1	34701360	ASM BOLTED CLAMP RING 22-5/16 ZINC-PLTD
9	1	33100387	GASKET 22-5/16 DIA 55 MS MULTISEAL EPDM
8	1	35901341	ASM LID 22-5/16 DOT 3IN FV W/TEF 316SS
7	1	34200833	PLUG PVC 2IN NPT SQ HEAD
6	1	35400191	VALVE 2IN STD STEM BV LOCK HNDL 316SS
5	1	35902874	CPLR 2IN NPSC X 5/8 THRU BARSTK 316SS
4	1	36500069	SNYDER IBC UN TAG 304SS
3	1	34900112	WELD ASM LIFT LUGS HEAVY DUTY 304SS
2	1	34900234	ASM 793G FRONT CD FORKTUBE BASE 304SS
1	1	34901573	TK 793 SPRTRN 54X54 316SS FCD-ELB 8.5LEG

CUSTOMER: TANK MANAGEMENT		CUSTOMER NO.:	
DO NOT SCALE		DRAWN BY: KB	TITLE: ASM TK 793 SPRTRN 316SS FCD TANK MGMT
STATUS: Released			REVISION:
© SNYDER INDUSTRIES INC., 2016			SHEET: 1 OF 1
ALL DIMENSIONS, DESIGNS, AND INFORMATION ON THIS PRINT MUST BE CONSIDERED PROPRIETARY TO SNYDER INDUSTRIES, INC. AND MAY NOT BE REPRODUCED, COPIED, OR DISTRIBUTED WITHOUT WRITTEN PERMISSION OF AN OFFICER (OR HIS AGENT) OF THE FIRM.		(407) 467-5721 www.snydermet.com	PART NO.: 6984000B51603 ENG. ID.: D006634